

# SCMXPRT-001/-001D, SCMXPRT-001/-001D

## Power Supplies

### DESCRIPTION

The SCMXPRT-001/-001D and SCMXPRT-001/-001D encapsulated power supplies are available in 120VAC or 220VAC input voltage ranges and provide 5VDC outputs suitable for all SCM5B modules. They are designed to mount on the SCMXRK-002 metal rack or DIN-rail EN 50022-35x7.5 (D versions). The supplies are UL-recognized. Their compact size and low weight are ideal for high-density applications.

Module	SCMXPRT-001/D	SCMXPRT-001/D
Input Voltage Range, 47Hz to 63Hz	105-125VAC	200-240VAC
Output Voltage	5VDC	5VDC
Output Current, +50°C	1A (derate 2.5%/°C above +50°C)	1A
Operating Temperature	-25°C to +71°C	-25°C to +71°C
Dielectric Withstand V (input to ground)	2500Vrms	2500Vrms
Line Regulation	±0.05%	±0.05%
Load Regulation	±0.15%	±0.15%
Output Ripple (max)	2mVrms	2mVrms
Oversoltage Protection	6.2V	6.2V
Weight	1.25 lbs (567g)	1.25 lbs (567g)

**NOTES:**

\* Contact factory for maximum values.  
Supplies are UL recognized, File No. E65890.

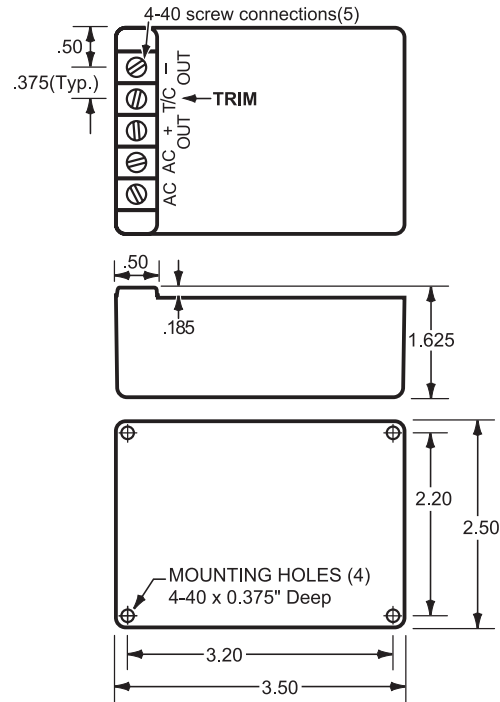


Figure 1: SCMXPRT-001/D and SCMXPRT-001/D Physical Dimensions

# SCMXPRT-003, SCMXPRT-003

## Power Supplies

### DESCRIPTION

The SCMXPRT-003 and SCMXPRT-003 Linear Power Supplies are available in 120VAC or 220VAC input. They have sufficient output current capacity to supply any combination of SCM5B modules. The SCMXRK-002 metal rack provides mounting capability for the SCMXPRT-003 and SCMXPRT-003 power supplies.

**Specifications** Typical\* at  $T_A = +25^\circ\text{C}$

Module	SCMXPRT-003	SCMXPRT-003
Input Voltage Range, 47Hz to 63Hz	104-132VAC	207-265VAC
Output Voltage	5VDC ±1%	5VDC ±1%
Output Current (at +70°C)	3A	3A
Output Current (at +50°C)	6A	6A
Operating Temp	0 to +70°C	0 to +70°C
Dielectric Withstand Voltage (input to ground)	3750VAC	3750VAC
Line Regulation (10% line change)	±0.05%	±0.05%
Load Regulation (50% load change)	±0.05%	±0.05%
Output Ripple (max)	5mVp-p	5mVp-p
Oversoltage Protection (factory set)	6.2V ±0.4V	6.2V ±0.4V

**NOTES:**

\* Contact factory for maximum values. Both supplies are tested and certified by TUV to VDE 0806 and IEC 380. They are UL recognized (File Number E55974) and CSA Certified (CSA File Number LR38879).

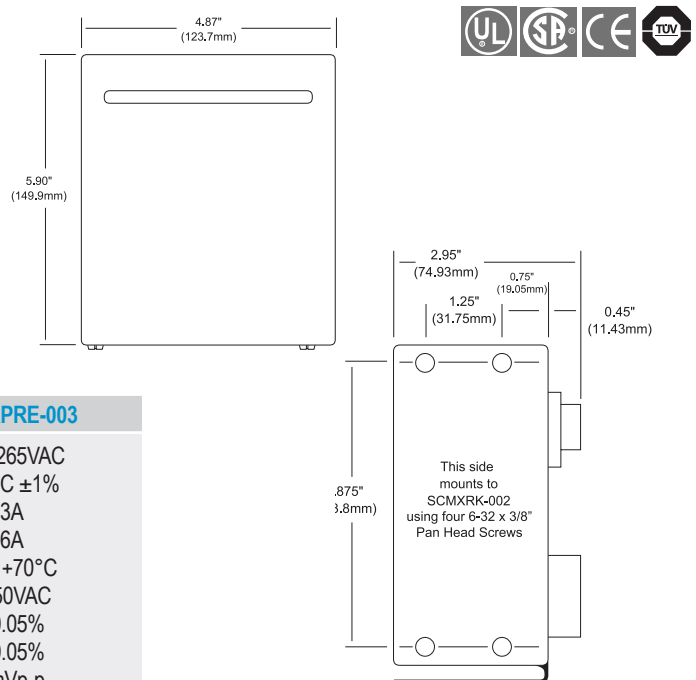


Figure 2: SCMXPRT-003/SCMXPRT-003 Physical Dimensions

# PWR-4505



## 25W Single-output, Industrial, DIN-rail, Switching Power Supply

### Specifications Typical\* at T<sub>A</sub> = +25°C

Module	PWR-4505
Input	85 to 264VAC, 120 to 370VDC
Frequency	47 to 63Hz
Input Current	1.5A/115VAC, 0.75A/230VAC
Inrush Current	Cold Start 30A/115VAC, 60A/230VAC
Efficiency	72%
Output Voltage and Current Rating	5V, 5A
Temperature Coefficient	±0.03%/°C
Ripple Voltage	100mVp-p
Overload Protection	105 to 150% Rated Output Power
Over Voltage Protection	5.75 to 6.75V
Over Temperature Protection	135°C Detect on Heatsink of Power Transistor
Dielectric Strength	Between Input and Output Terminals: 3kV, 1 Minute Between Input and FG: 1.5kV, 1 Minute Between Output and FG: 0.5kV, 1 Minute
Insulation Resistance	Between Input and Output Terminals/Input and FG/Output and FG: 100MΩ/500VDC
Operating Temperature	-10°C to +50°C
Storage Temperature	-20°C to +85°C
Relative Humidity	10 to 95%
Mechanical Dimensions (h)x(w)x(d)	3.66" x 3.07" x 2.24" (93mm x 78mm x 57mm)
Terminal Screw	M3

### FEATURES

- Universal AC Input (85 to 264VAC)
- DC Compatible Input (120 to 370VDC)
- Protections: Short Circuit, Overload, Over Voltage, Over Temperature
- Mounts on DIN-rail TS-35/7.5 and 15
- Approvals: UL, CUL, TUV, CB, CE
- CE Compliant, UL 508 Listed
- TUV EN60950-1 Approved
- Compliant with EMC Directive EN50082-2
- LED Indicator for Power On

NOTES:

\* Contact factory for maximum values.

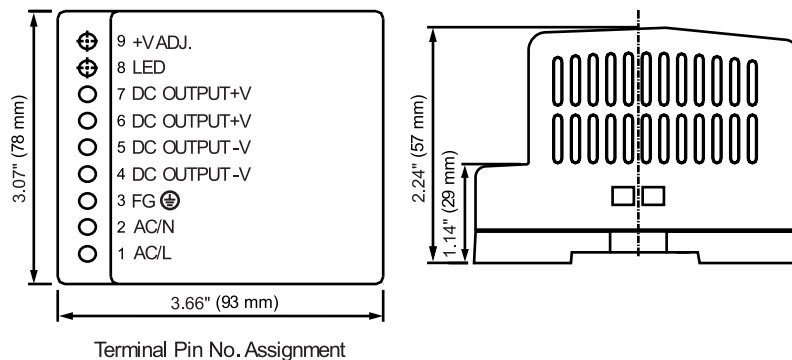


Figure 1: PWR-4505 Physical Dimensions