

DSCL21



Loop-powered Isolator - DIN-mount

DESCRIPTION

The DSCL21 loop-powered isolator provides a single channel of analog signal protection by electrically isolating its input from output for any DC process signal in the range of 0-20mA (or 4-20mA). The DSCL21 operates passively, obtaining its power from the transmitted signal (see Figure).

The input signal is chopped by a proprietary DC chopper circuit, isolation is provided by transformer coupling, a proprietary technique is used to suppress transmission of common-mode spikes or surges, the output signal from the secondary of the transformer is reconstructed to the original input signal.

FEATURES

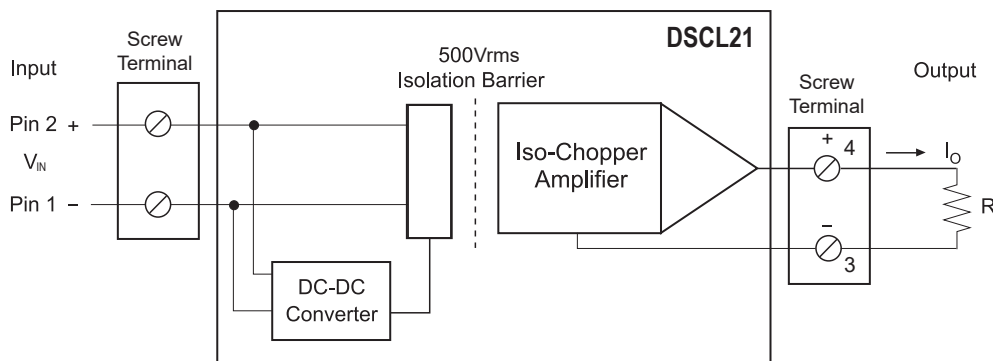
- No Power Supply Required, Signal Powered from 0-20mA (or 4-20mA) Input
- Simplified Wiring for Fast Installation
- Narrow 12.5mm DIN Package for High-density Mounting
- 500Vrms Transformer Isolation
- Prevents Ground-loop Problems
- Prevents the Transfer of Interference Voltages and Currents
- High Accuracy Over Full Span
- CE Compliant

BENEFITS

- No Recalibration or Maintenance Required
- Multiple Mounting Options
- No Extra Power Supply Required, Powered From 0-20mA or 4-20mA Signal

APPLICATIONS

- Data Acquisition
- Test and Measurement
- Control Systems
- Current Repeater
- Resistive Load Drives
- Medical, Industrial, etc. Needing Electrical Isolation for Safety



The compliance voltage or loop voltage must not exceed 17V, as this may damage the module.

DSCL21 Block Diagram - [For Module Dimensions and Pinouts, See Page 7-7](#)

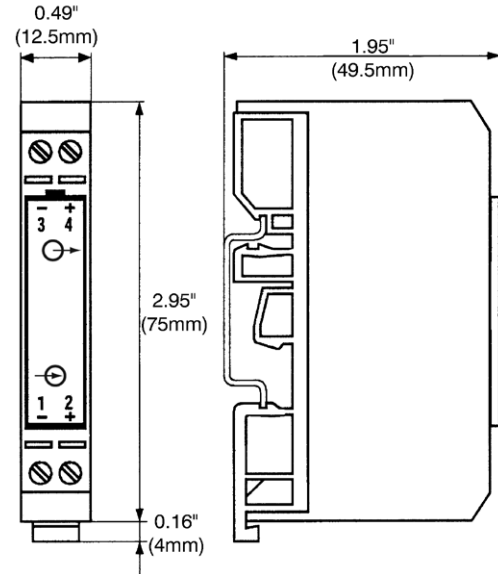
Specifications Typical* at $T_A = +25^\circ\text{C}$; Load $R = 100\Omega$ ($I_{OUT} \geq 5\text{mA}$, V_{OUT})

Module	DSCL21-01
Input Range	0-20mA, 4-20mA
Input Current	50mA (max) at 18V (max)
CMV Input to Output	500Vrms, 1 Minute
Accuracy (at 100Ω Load) ⁽¹⁾	±0.1% Span (typ) ±0.2% Span (max)
Linearity	Included in Accuracy
Stability	<50ppm/°C
Overshoot	<20μA (5μA typ)
Compliance Voltage ⁽²⁾ (V_{IN})	17V (max)
Voltage drop	<2V (for 500Ω Load)
Output Range	0-20mA, 4-20mA
Limit Upper Range	30mA
Bandwidth, -3dB	750Hz
CMR (50Hz or 60Hz)	90dB
NMR	20dB per Decade Above 750Hz
Response Time	1ms, to 90% Span
Load Resistance Range	0-600Ω
Output Noise	<20mV (<5mV typ)
Environmental	Weight Approximately 35g
Housing Material	Lexan 940 (UL 94 V-O)
Shock Test	50g (10 Shocks, 3 Axis)
Operating Temp. Range	-20°C to +65°C
Storage Temp. Range	-40°C to +85°C
Relative Humidity	0 to 75% Noncondensing
Emissions	EN50081-2 (Radiated, Conducted)
Immunity	EN50082-2 (ESD, RF, EFT)

NOTES:
 *Contact factory or your local Dataforth sales office for maximum values.
 (1) Additional error <0.2% at 500Ω load (I_{OUT})
 (2) $V_{IN} = I_O R_L + <2V$

Ordering Information

Model	Input Range	Output Range
DSCL21-01	0-20mA (4-20mA)	0-20mA (4-20mA)



DSCL21 Dimensions

Dimensional and Wiring Information

The DSCL21 DIN-mount package accepts EN50022 (35 x 7.5) and EN50035 (G32) type rails; Dataforth SCMXRAIL1-xx or SCMXRAIL2-xx. Multiple DSCL21 modules may be mounted next to each other without affecting input or output signals.

Screw terminals with wire protection clamps sized for 0.2 to 4mm² solid or 0.2 to 2.5mm² stranded wires. The DSCL21 may be mounted in any position. The DSCL21 requires no maintenance.