

8BPWR-2

Power Supply Module



DESCRIPTION

The 8BPWR-2 encapsulated power supply has a wide-ranging 7-34VDC input-voltage range and provides 5VDC output suitable for all 8B modules. It is designed to mount on the 8B backpanels. The compact size and low weight are ideal for high-density applications (see Figure 1).

Specifications Typical* at $T_A = +25^\circ\text{C}$ and +24VDC power

Module	8BPWR-2
Input Voltage Range	7-34VDC
Overvoltage Protection	None (Provided On Backpanel)
Reverse Voltage Protection	None (Provided On Backpanel)
Output Voltage	5VDC $\pm 1\%$
Output Voltage Temp. Coeff.	$\pm 200\text{ppm}/^\circ\text{C}$
Output Current	3A (-40°C to $+65^\circ\text{C}$) 2A (85°C)
Output Current Limit	4A, Auto Recovery
Line Regulation	$\pm 0.20\%$
Load Regulation	$\pm 0.30\%$
Efficiency	85%
Output Ripple	50mVp-p
Mechanical Dimensions (h)x(w)x(d)	1.11" x 1.65" x 0.40" (28.1mm x 41.9mm x 10.2mm)

NOTES: *Contact factory or your local Dataforth sales office for maximum values.

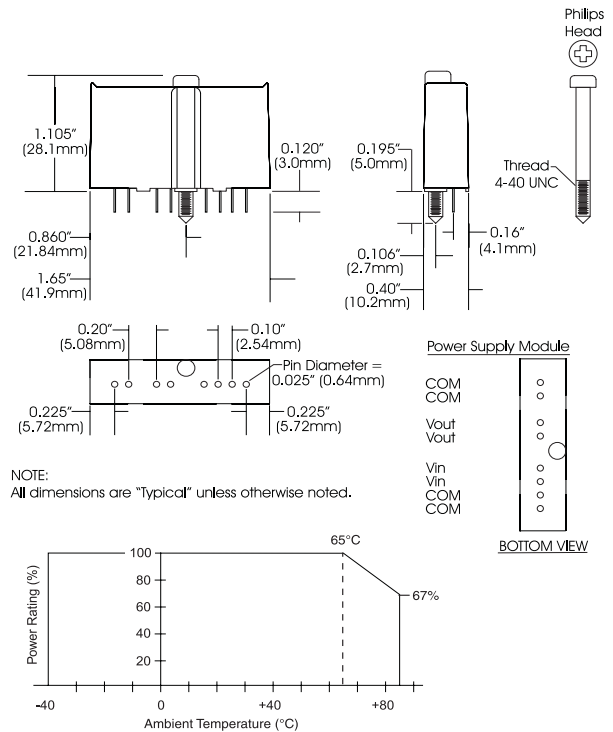


Figure 1: 8BPWR-2 Power Supply Module

SCMXPRT-001/D, SCMXPRE-001/D

Power Supplies

DESCRIPTION

The SCMXPRT-001/D and SCMXPRE-001/D encapsulated power supplies are available in 120VAC or 220VAC input voltage ranges and provide 5VDC outputs suitable for all 8B modules. They are designed to mount on the SCMXRK-002 metal rack (see Figure 1) or DIN-rail EN 50022-35x7.5 (D versions). The supplies are UL-recognized. Their compact size and low weight are ideal for high-density applications (see Figure 2).

Specifications Typical* at $T_A = +25^\circ\text{C}$

Module	SCMXPRT-001/D	SCMXPRE-001/D
Input Voltage Range, 47Hz to 420Hz	105-125VAC	210-250VAC
Output Voltage	5VDC	5VDC
Output Current, $+50^\circ\text{C}$	1A	1A
Operating Temperature	-20°C to $+71^\circ\text{C}$	-20°C to $+71^\circ\text{C}$
Line Regulation	$\pm 0.05\%$	$\pm 0.05\%$
Load Regulation	$\pm 0.25\%$	$\pm 0.25\%$
Output Ripple, max	1mVrms	1mVrms
Weight	1.25 lbs (567g)	1.25 lbs (567g)

NOTES:
*Contact factory or your local Dataforth sales office for maximum values.
Supplies are UL recognized, File No. E45344.

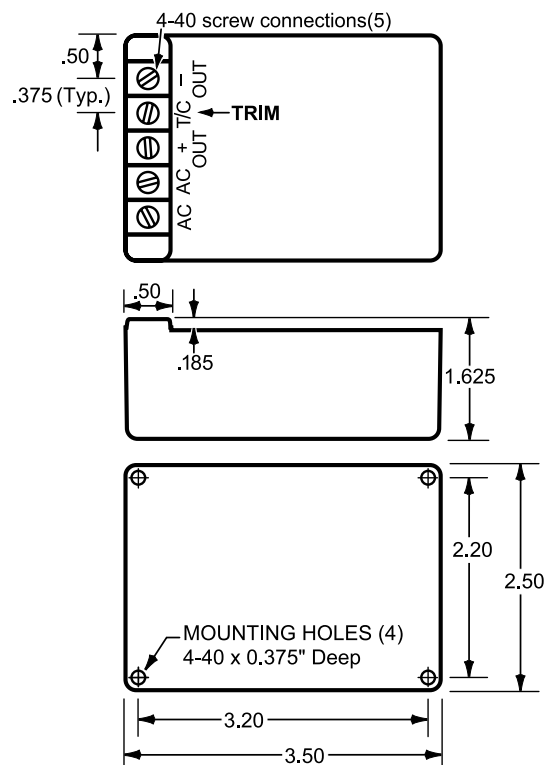


Figure 2: SCMXPRT-001/D and SCMXPRE-001/D Physical Dimensions